


Optical fiber connector cleaner CLETOP Instruction Manual

Introduction

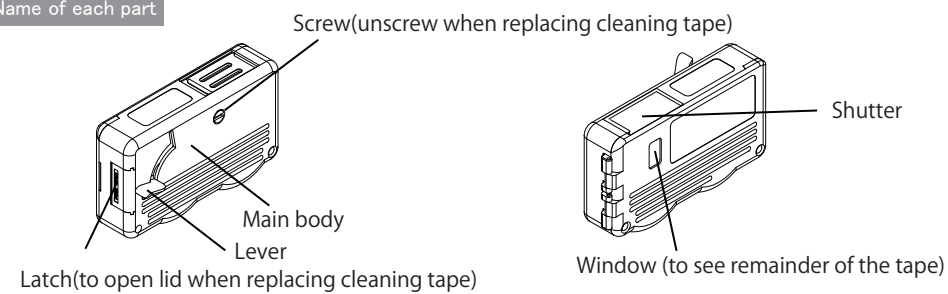
Thank you for using our optical fiber connector cleaner, **CLETOP**. The conventional method of cleaning optical plug endfaces depends upon worker-skill and generally requires use of alcohol and wiping with tissue. However, NTT-AT's cleaner **CLETOP** provides thorough cleaning of the ferrule endface by using a dry alcohol-free cloth and all operators can consistently achieve high quality cleaning without alcohol or other solvents.

The **CLETOP** has excellent anti-static properties to avoid reattachment of dust to the endface after cleaning.




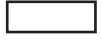

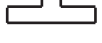

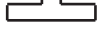
Please use this product in a proper way based upon this instruction manual.

 Prohibited	<ul style="list-style-type: none"> •Do NOT store in direct sunlight, and avoid hot and/or humid environments as the product may become deformed. •Do NOT touch the tape (cleaning tape). The quality will deteriorate. •Do NOT disassemble this product. •Do NOT use for any purpose which has not been described in this manual. Products may be damaged. •Please consign this product to a properly licensed waste management operator.
--	--

Name of each part



Shape of guide and rubber

Name	Guide	Rubber	Compatible Connector	Model
Type A			•Single fiber connector e.g. SC, FC, ST, DIN, D4 LC, MU, Biconic (ideal for $\phi 2.5\text{mm}$ ferrule)	14100501 14100511
Type B			•Single fiber connector •Multi fiber connector without pins e.g. MPO, MT, MT-RJ	14100601 14100611
Type MPO			•MT connector with pins •MPO connector with pins	14100201
Type MT-RJ			•MT-RJ connector with pins	14100101

How to use

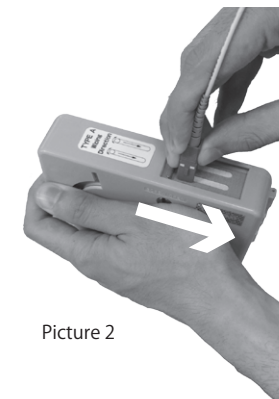
① Hold CLETOP in your palm as shown in Picture 1 and rotate the lever with your thumb. The lever winds the cleaning tape equipped inside the cassette, and simultaneously opens the shutter.



Picture1

② After rotating the lever, and keeping your thumb depressed on it, press the optical plug endface against the cleaning tape and rotate it left and right. Then, drag it down in the direction indicated by the arrows in Picture 2. Apply sufficient pressure to ensure the ferrule a little depressed.

(NOTE) Be sure the optical plug is pressed vertically against the cleaning tape surface while dragging the plug. Cleaning may not be completed if the pressure to the plug is insufficient.



Picture 2

SC duplex and LC duplex can also be cleaned with CLETOP. In case of the duplex connector, drag down the plug without rotating it after pressing the plug.

③ Release the lever, allowing it to return to its initial position.

When the cleaning tape is running short

One CLETOP cleaning tape can be used over 400 times. The cleaning tape is replaceable and you can continue to use the CLETOP Cassette.

(NOTE) CLETOP is a trademark of NTT Advanced Technology Corporation. To ensure consistent high quality cleaning performance, it is recommended that the authentic CLETOP replacement tape be used.

• Inquiries

NTT Advanced Technology Corporation

http://www.ntt-at.com/product/optical_cleaner/

